

4

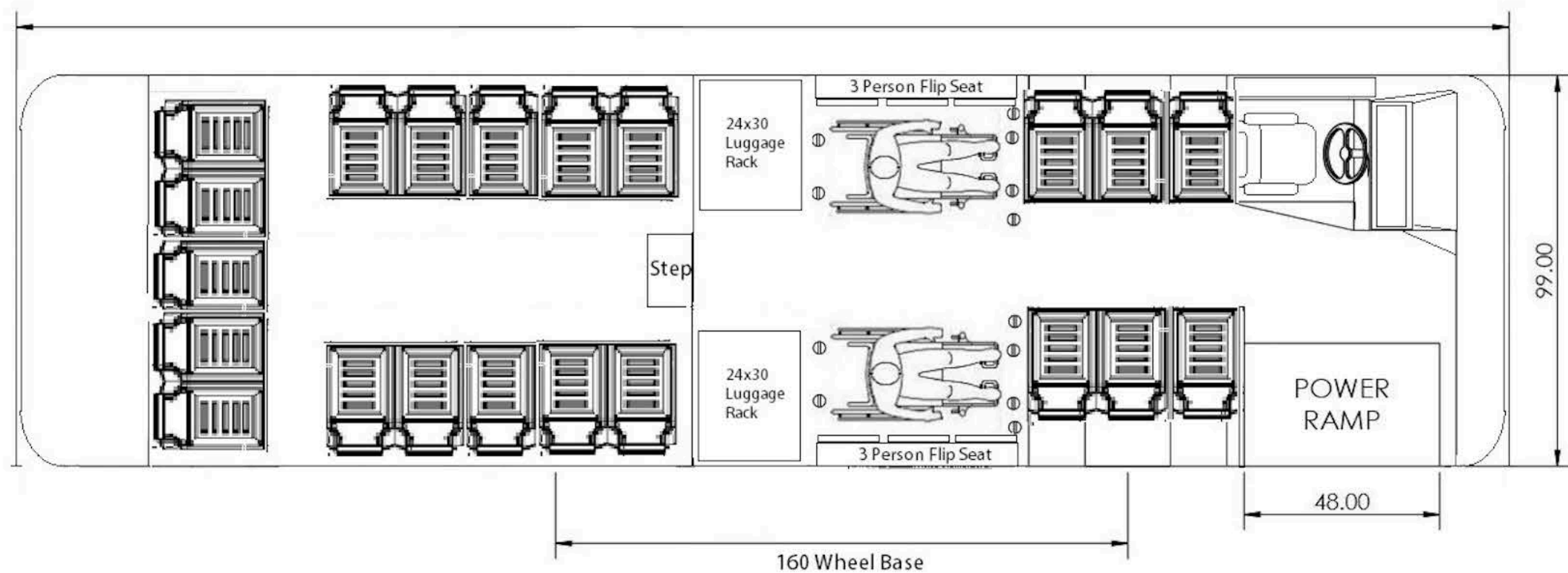
3

2

1

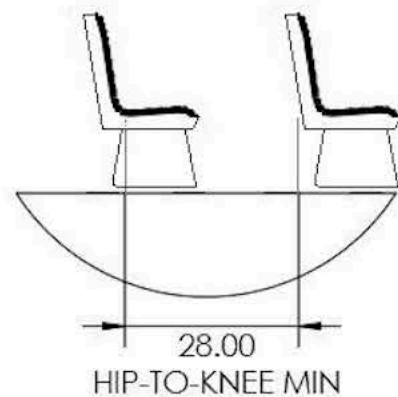
B

B



A

A



UNLESS OTHERWISE SPECIFIED:				Hometown Manufacturing	
DIMENSIONS ARE IN INCHES	DRAWN	NAME	DATE	TITLE: Commuter 160 W/ ADA	
TOLERANCES:	TMJ	6/30/2017			
FRACTIONAL: ±1/32	CHECKED				
ANGULAR: MACH ±.5° BEND ±1°	ENG APPR.				
TWO PLACE DECIMAL ±.030	MFG APPR.				
THREE PLACE DECIMAL ±.010	Q.A.				
MATERIAL					
FINISH					
DO NOT SCALE DRAWING					
PROPRIETARY AND CONFIDENTIAL THE INFORMATION CONTAINED IN THIS DRAWING IS THE SOLE PROPERTY OF HOMETOWN TROLLEY. ANY REPRODUCTION IN PART OR AS A WHOLE WITHOUT THE WRITTEN PERMISSION OF HOMETOWN TROLLEY IS PROHIBITED.				SIZE	DWG. NO.
				<b>B</b>	HT2016-FP-124
				SCALE: 1:30	WEIGHT:
				SHEET 1 OF	REV <b>A</b>

4

3

2

1

4

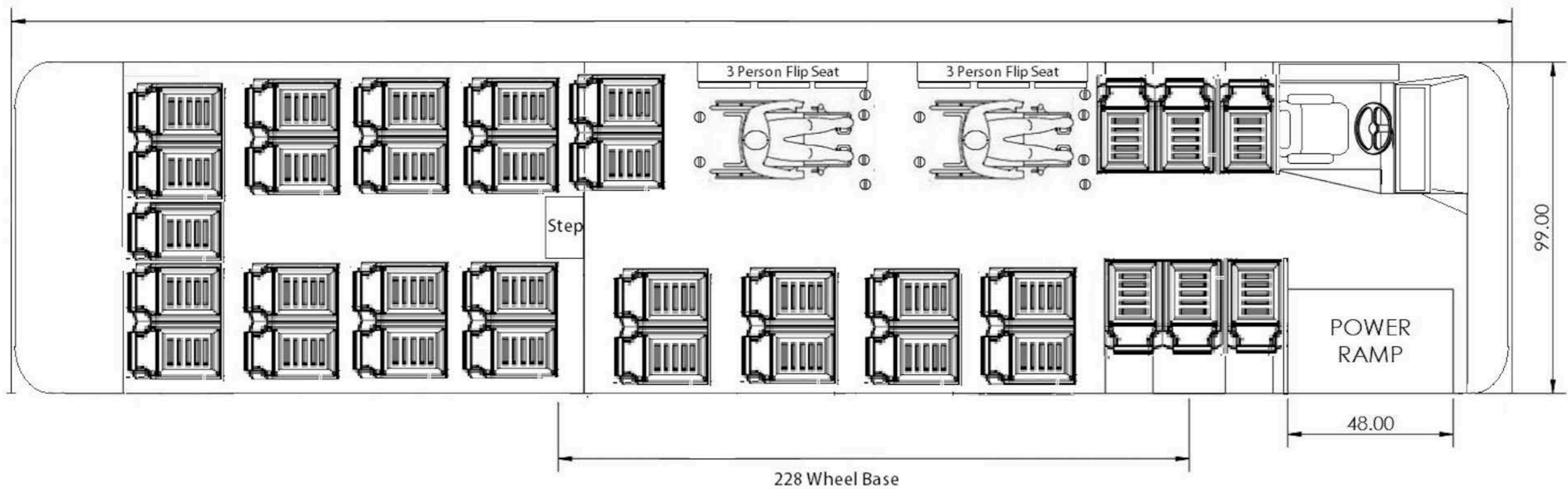
3

2

1

B

B



99.00

228 Wheel Base

POWER RAMP

48.00

A

A



28.00  
HIP-TO-KNEE MIN

UNLESS OTHERWISE SPECIFIED:		NAME	DATE	Hometown Manufacturing		
DIMENSIONS ARE IN INCHES		DRAWN	TMJ	6/30/2017	TITLE: Commuter 228 W/ ADA	
TOLERANCES:		CHECKED				
FRACTIONAL: ±1/32		ENG APPR.				
ANGULAR: MACH ±.5° BEND ±1°		MFG APPR.				
TWO PLACE DECIMAL ±.030		Q.A.				
THREE PLACE DECIMAL ±.010						
MATERIAL				SIZE	DWG. NO.	REV
FINISH				<b>B</b>	HT2016-FP-124	<b>A</b>
DO NOT SCALE DRAWING		SCALE: 1:30		WEIGHT:	SHEET 1 OF:	

**PROPRIETARY AND CONFIDENTIAL**  
 THE INFORMATION CONTAINED IN THIS DRAWING IS THE SOLE PROPERTY OF HOMETOWN TROLLEY. ANY REPRODUCTION IN PART OR AS A WHOLE WITHOUT THE WRITTEN PERMISSION OF HOMETOWN TROLLEY IS PROHIBITED.

4

3

2

1

4

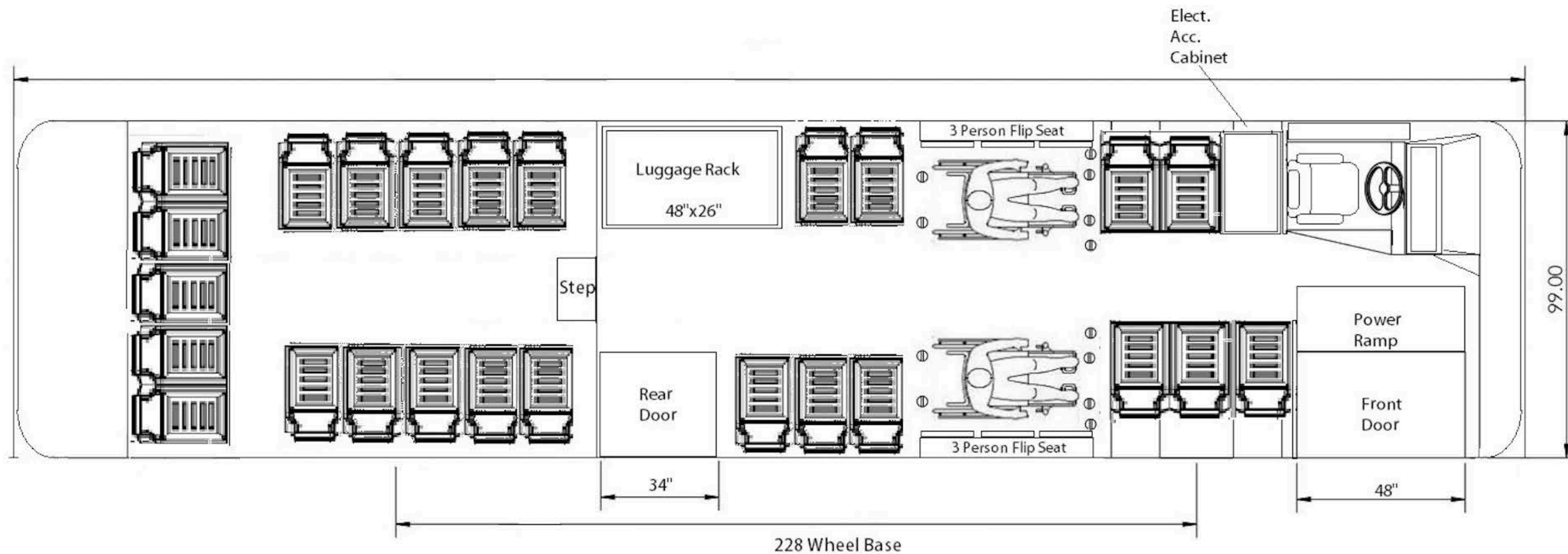
3

2

1

B

B



99.00

228 Wheel Base

A

A



28.00  
HIP-TO-KNEE MIN

UNLESS OTHERWISE SPECIFIED:		NAME	DATE	Hometown Manufacturing	
DIMENSIONS ARE IN INCHES		DRAWN	TMJ	6/30/2017	TITLE: Commuter 228 W/ ADA and Luggage
TOLERANCES:		CHECKED			
FRACTIONAL: ±1/32		ENG APPR.			
ANGULAR: MACH ±.5° BEND ±1°		MFG APPR.			
TWO PLACE DECIMAL ±.030		G.A.			SIZE DWG. NO. REV
THREE PLACE DECIMAL ±.010					<b>B</b> HT2016-FP-124 <b>A</b>
MATERIAL				SCALE: 1:30	WEIGHT:
FINISH				SHEET 1 OF 1	
DO NOT SCALE DRAWING					

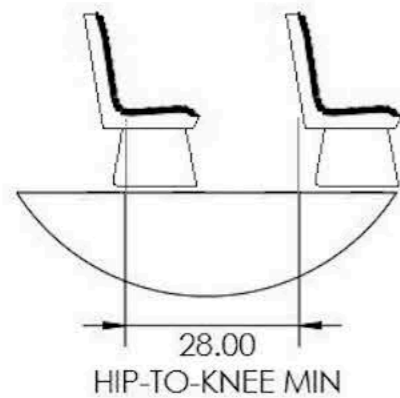
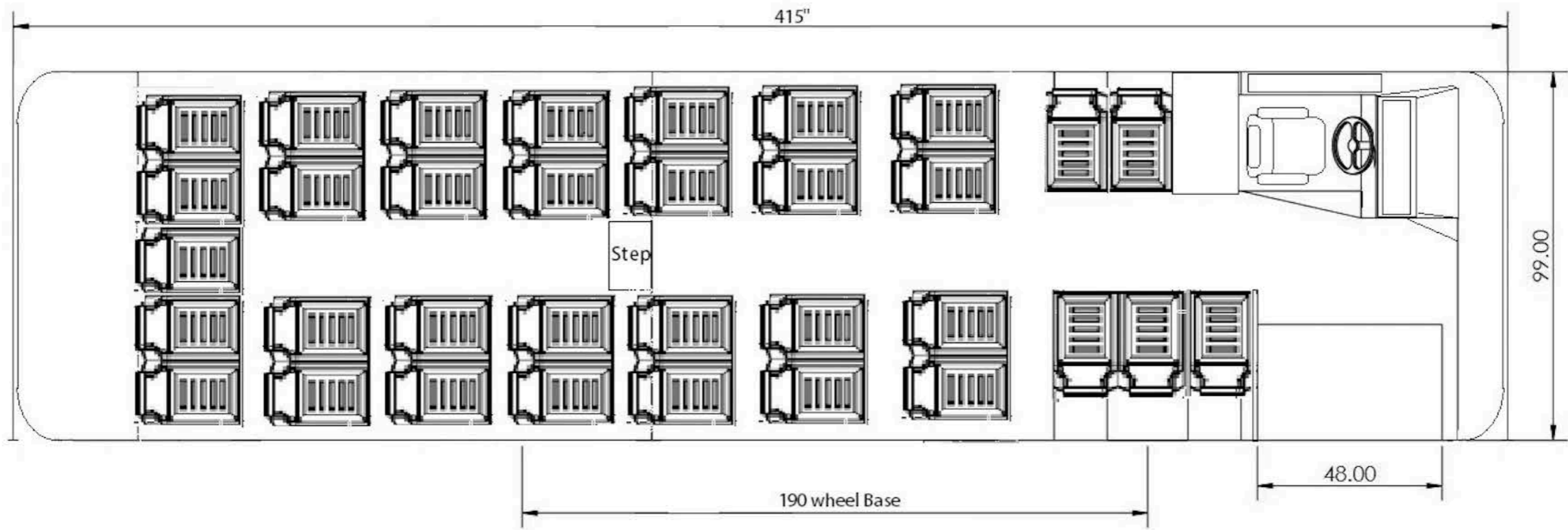
**PROPRIETARY AND CONFIDENTIAL**  
 THE INFORMATION CONTAINED IN THIS DRAWING IS THE SOLE PROPERTY OF HOMETOWN TROLLEY. ANY REPRODUCTION IN PART OR AS A WHOLE WITHOUT THE WRITTEN PERMISSION OF HOMETOWN TROLLEY IS PROHIBITED.

4

3

2

1



UNLESS OTHERWISE SPECIFIED:				Hometown Manufacturing				
DIMENSIONS ARE IN INCHES	DRAWN	NAME	DATE	TITLE: Commuter 190				
TOLERANCES:	TMJ		6/30/2017					
FRACTIONAL ±1/32	CHECKED							
ANGULAR: MACH ±.5° BEND ±1°	ENG APPR.							
TWO PLACE DECIMAL ±.030	MFG APPR.			SIZE DWG. NO. REV				
THREE PLACE DECIMAL ±.010	G.A.			<b>B</b>	HT2016-FP-124	<b>A</b>		
PROPRIETARY AND CONFIDENTIAL THE INFORMATION CONTAINED IN THIS DRAWING IS THE SOLE PROPERTY OF HOMETOWN TROLLEY. ANY REPRODUCTION IN PART OR AS A WHOLE WITHOUT THE WRITTEN PERMISSION OF HOMETOWN TROLLEY IS PROHIBITED.						SCALE: 1:30	WEIGHT:	SHEET 1 OF 1
						DO NOT SCALE DRAWING		